

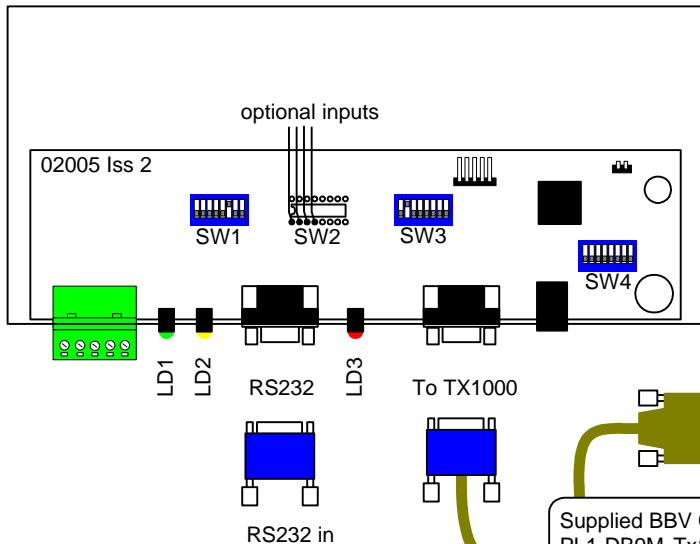
# PL1 Mk2 DVST-TX1000 interface Preliminary Installation Sheet

Software Version 02005V7.MOT 10Oct03

The PL1 is designed to allow control of a BBV Tx1000 matrix from a DM DVST remote transmission unit.

Each PL1 is supplied with the following:

- 1 x PL1 in plastic enclosure
- 1 x Moulded DB9F to DB9M for Tx1000 (SA-PL64-3)
- 1 x DB9F connector
- 1 x DB9 blue hood
- 1 x This installation sheet



## LED guide

RED LD3

Heartbeat flashes approx. 1 per second. Indicates power and processor is OK.

YELLOW LD2

Flashes when data received from DVST.

GREEN LD1

Flashes command sent to the Tx1000. ON when PTZ is moving.

## Input into PL1 from DVST.

The PL1 will accept either RS232 via the DB9M or RS485/422 via the green connector and SW1/5 and SW1/6 are used for the selection. All other switches must be OFF. As the DVST sends RS232 always select RS232 as below.

Input	SW1/5	SW1/6
<b>RS232 (default)</b>	<b>OFF</b>	<b>ON</b>
RS485/422	ON	OFF

## RS232 mode connections. (default)

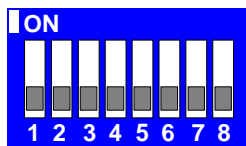
PL1	DVST-AUX
2-RS232 into PL1	3-RS232 out
5-GND	5-Ground

**The DVST AUX port must be set to DTMF telemetry and baud and parity of 9600,N,8,1.**

Supplied BBV Cable: SA-PL64-3  
PL1-DB9M Tx1000-DB9F

1 red	1	+12 from Tx1000
2 blue	2	RS232 from Tx1000
3 green	3	RS232 to Tx1000
5 white	5	0V

## SW4 Settings



1 Monitor selection

5 Speed 4 or 8

Switch	ON	OFF
1	MONITOR 1	MONITOR 2
2	unused	
3	unused	
4	unused	
5	SPEED 4	SPEED 8

Switch 1 selects which monitor output the PL1 is controlling, generally monitor 2 as the local monitor is monitor 1.

Switch 5 is used to select either a slow or faster speed for pan/tilt control.

## Drive Tx1000 to MAXCAM.

Shorting pin 3 of SW2 to ground will make the Tx1000 select it's maximum camera. This is used if a Tx1000/TP is used for remote control via the DVST via Twisted Pair telemetry and local site control is provided with either another Tx1000 running coax telemetry or a DM DS2 etc. As the BBV telemetry receivers give priority control to twisted pair telemetry the Tx1000 must select an unused camera when the DVST disconnects to prevent the last viewed camera from being locked out of local control.

